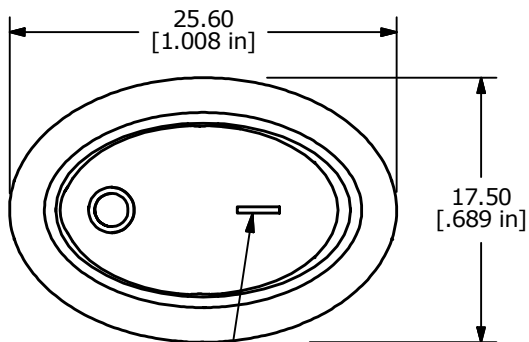
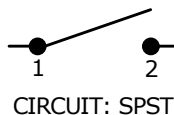


SWITCH FUNCTION		
POS. 1	POS. 2	POS. 3
OFF	NONE	ON
OPEN	OPEN	2-1



PANEL THICKNESS	(X) DIMENSION
0.75 TO 1.25	23.3
1.25 TO 2.00	23.6
2.00 TO 3.00	23.9

SUGGESTED PANEL CUTOUT



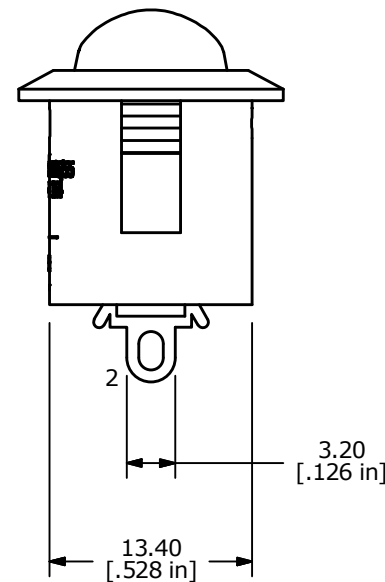
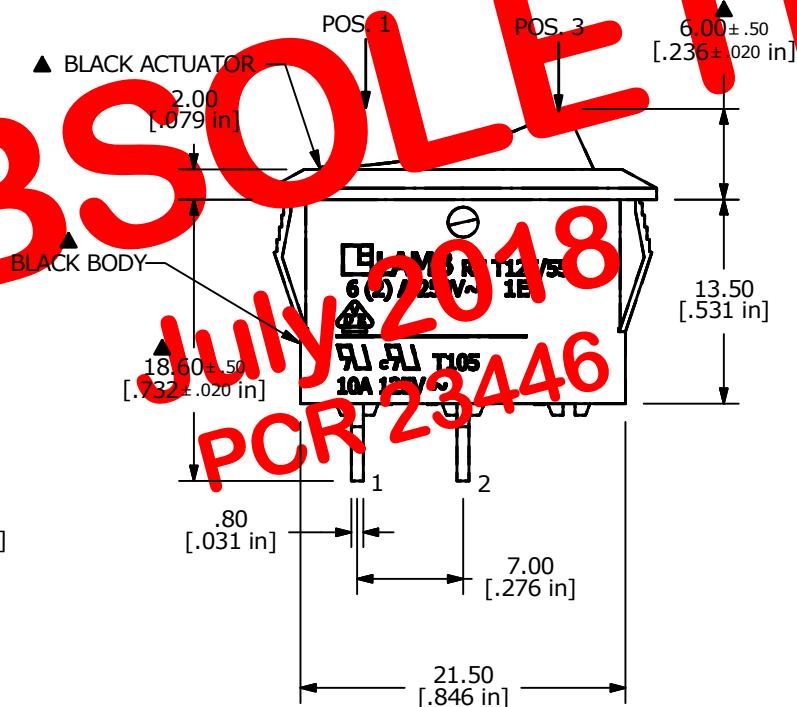
OBSOLETE

JULY 2018

PCR 23446

NOTE:

1. ALL DIMENSIONS IN MM [INCH]
2. GENERAL TOLERANCE: X.X = ± 0.4
X.XX = ± 0.25
3. TERMINAL NOS. FOR REF. ONLY
- ▲ 4. RATINGS: ANSI/UL 1054:
10A 125VAC [UR, cUR]
6(2)A 250V~ μ 5E4 T85 [ENEC14]
- ▲ 5. CONTACT MATERIAL: SILVER ALLOY CLAD COPPER
6. CONTACT RESISTANCE: 35mΩ MAX. @ 50VAC INITIAL
7. INSULATION RESISTANCE: 100MΩ MIN. @ 500VDC
8. DIELECTRIC STRENGTH: 1,500 VAC FOR 1 MINUTE
9. ELECTRICAL LIFE: 10,000 CYCLES
10. TEMPERATURE: -20°C TO 105°C [UR, cUR]
-20°C TO 125°C [ENEC14: 10(2)A 250V~]
11. ▲ DENOTES CRITICAL PARAMETER
12. 2011/65/EU (ROHS) COMPLIANT



TITLE RE15131121				
SCALE	DATE 7/19/2013	DR EBP	DWG 38-RE15131121	REV A

A	21177	RELEASE FOR PRODUCTION	7/19/13	EBP
REV	PCR NO	DESCRIPTION	DATE	BY

THE INFORMATION CONTAINED IN THIS DOCUMENT IS PROPRIETARY TO E-SWITCH AND IS NOT TO BE COPIED OR TRANSFERRED